



KINGS CANYON SLAT PANELS

www.parkettkaiser.de

PANELS. WALL WITH DEPTH

Slat panels give the interior a unique character. They can play the role of the main decoration, the quiet hero in the background or help to designate different zones in the interior.

The final effect depends on which of the three available lines will be chosen. We offer lines S, M and L, which differ in the width and depth of the slats and in colours.



KEY FEATURES



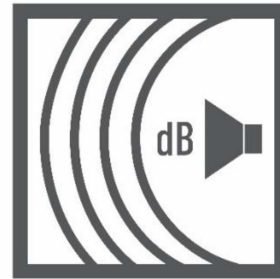
EASY INSTALLATION

The installation is quick and easy. Panels are installed with adhesive and can be easily cut to the desired size using a saw or jigsaw.



LOW WEIGHT

panels are made of polystyrene. This makes them light, which means that the transport and mounting of the product are very easy.



IMPROVE SOUNDPROOFING

Thanks to the material they are made of and their spatial structure, the panels soundproof the interior and eliminate reverberation and echo in large rooms.



EASY TO KEEP CLEAN

Can be cleaned easily with a damp cloth and mild detergent.



RECYCLABLE

panels are made of fully recyclable material.

AVAILABLE SHAPES



Fine-F



Medium-M



Strong-S

Fine-F



Fine-F



LIGHT BROWN



Left trim



Right trim



COFFE BROWN



Left trim



Right trim

Medium-M



Medium-M



LIGHT BROWN



Left trim



Right trim



COFFEE BROWN



Left trim



Right trim



DARK BROWN



Left trim



Right trim

Strong-S



Strong-S



LIGHT BROWN



Left trim



Right trim



COFFEE BROWN



Left trim



Right trim



DARK BROWN



Left trim



Right trim

FINISHING TRIMS

For each of the panel types, you can choose the right and left trims, while the universal trim will allow you to finish the top and bottom of the wall. Trims are available in the colours of panels.

**FINE-F
LEFT TRIM**

2650x28x12



**FINE-F
RIGHT TRIM**

2650x35x12



**MEDIUM-M
LEFT TRIM**

2650x42x12



**MEDIUM-M
RIGHT TRIM**

2650x26x12



**STRONG-S
LEFT TRIM**

2650x61x21



**STRONG-S
RIGHT TRIM**

2650x32x21



COLOURS

LIGHT BROWN COFFEE BROWN DARK BROWN



FINISHING TRIMS

UNIVERSAL TRIM U

2650x25x12



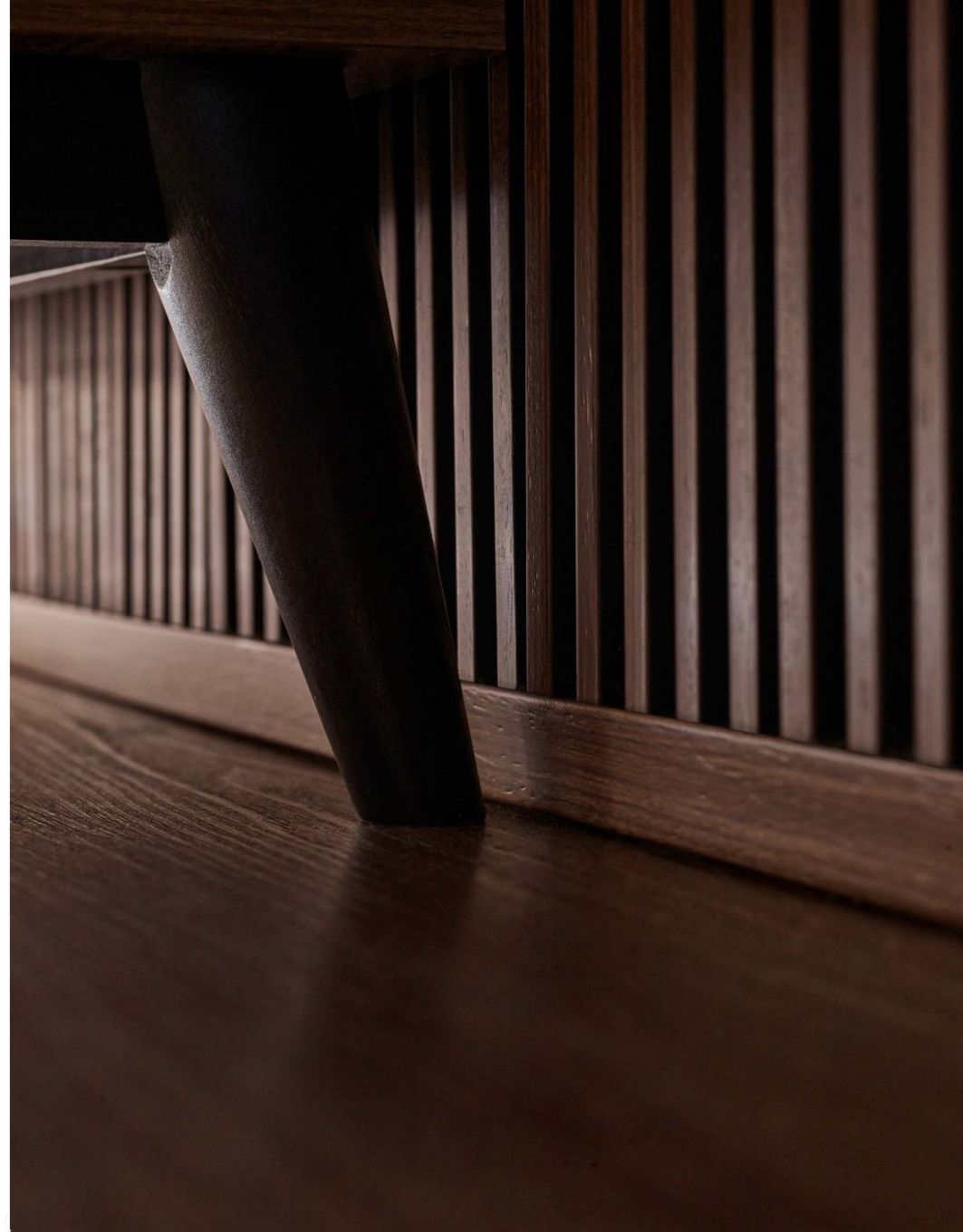
COLOURS

LIGHT BROWN COFFEE BROWN DARK BROWN



PRACTICAL MATERIAL

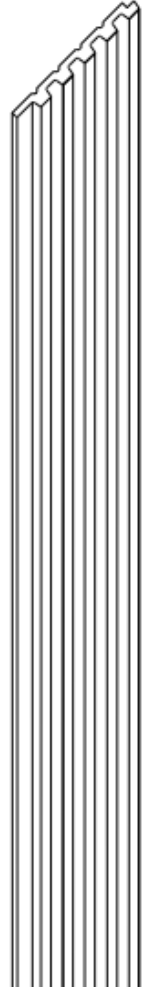
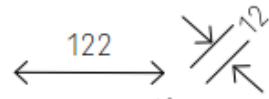
panels owe their unique properties to the material from which they are made. To manufacture the panels, we use polystyrene covered with a print made by hot-stamping. Polystyrene is a modern material that is 100% recyclable. It is lightweight, durable, and easy to clean. This means that can be installed even in more demanding areas, such as the hallway, work area, or the kitchen.



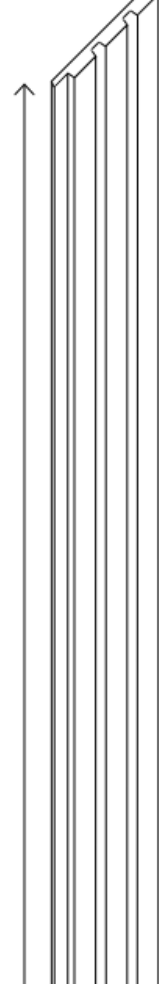
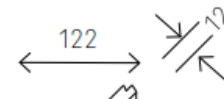
TECHNICAL DETAILS

— Panel length 265 cm

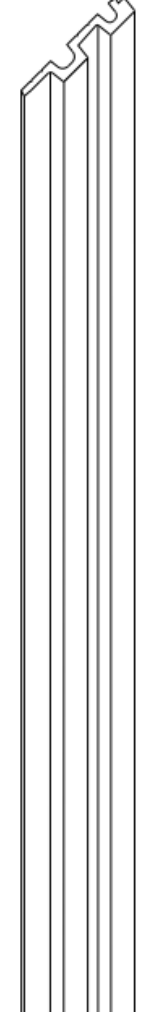
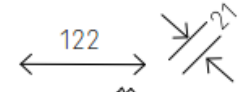
Fine-F



Medium-M



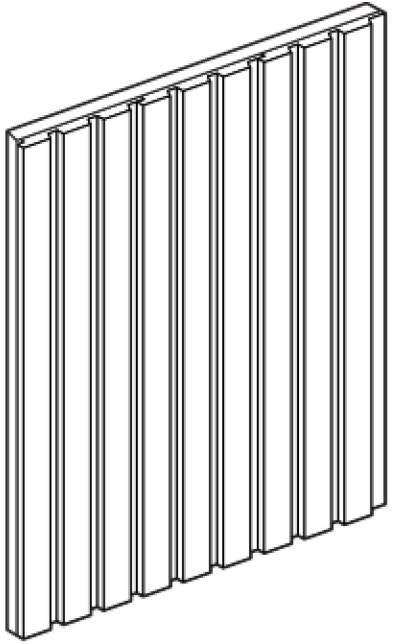
Strong-S



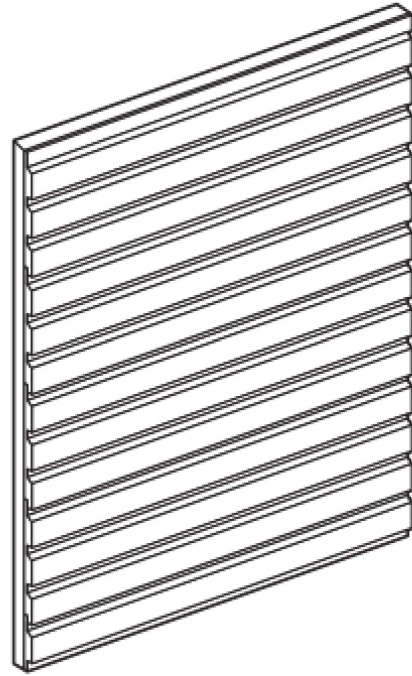
INSTALLATION ADVANTAGES

- Quick installation – easy cut using a saw or jigsaw
- Choice of mounting options - vertically, horizontally, diagonally.
- Does not require additional substrate preparation work (e.g. priming) as well as protecting the top layer (e.g. grouting)
- Clean installation, no dust
- Immediate 3D effect on the wall after installation - the rooms can be used immediately

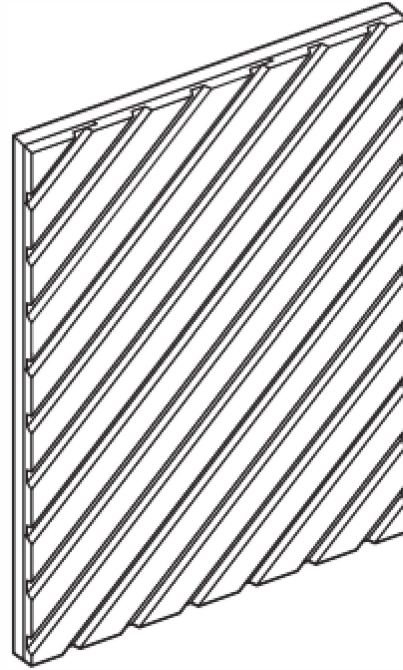
INSTALLATION OPTIONS



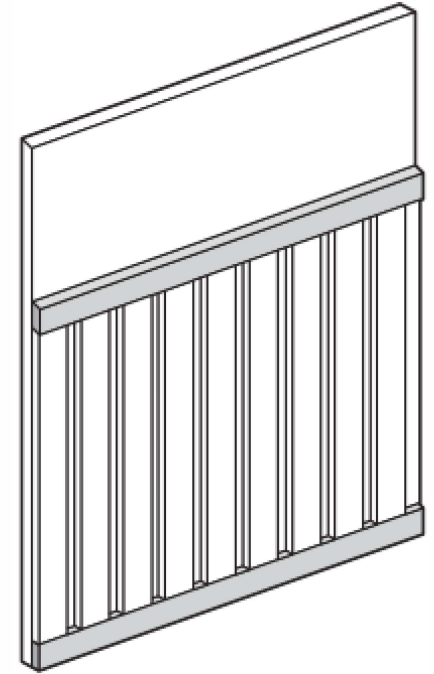
Vertically



Horizontally



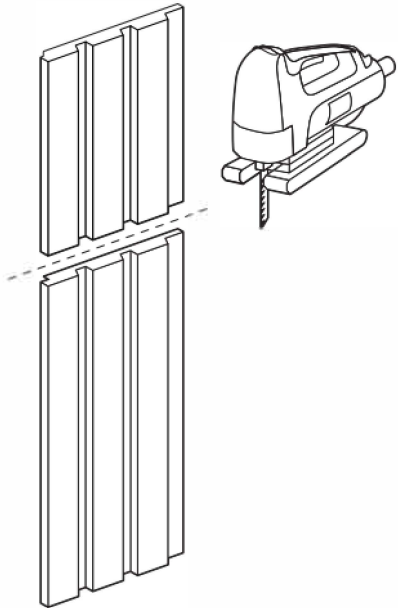
Diagonally



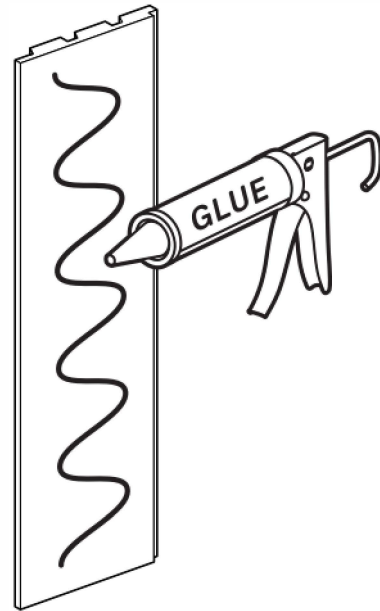
Paneling (bottom part
of the wall)

INSTALLATION

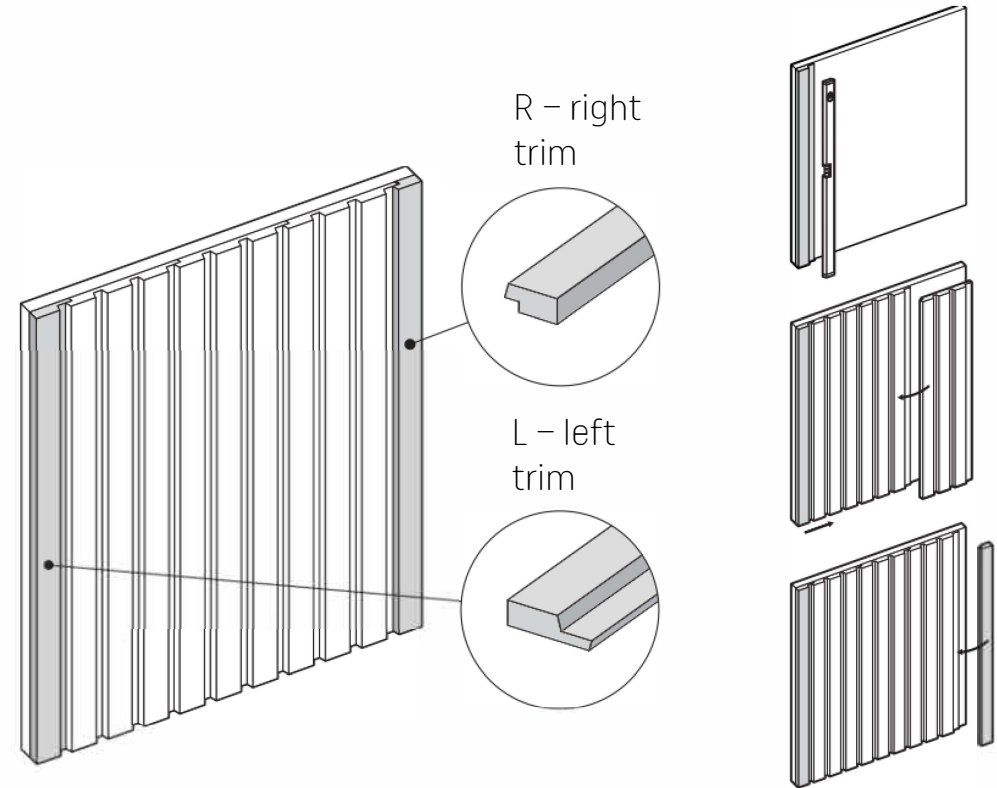
1. Cutting



2. Glue application

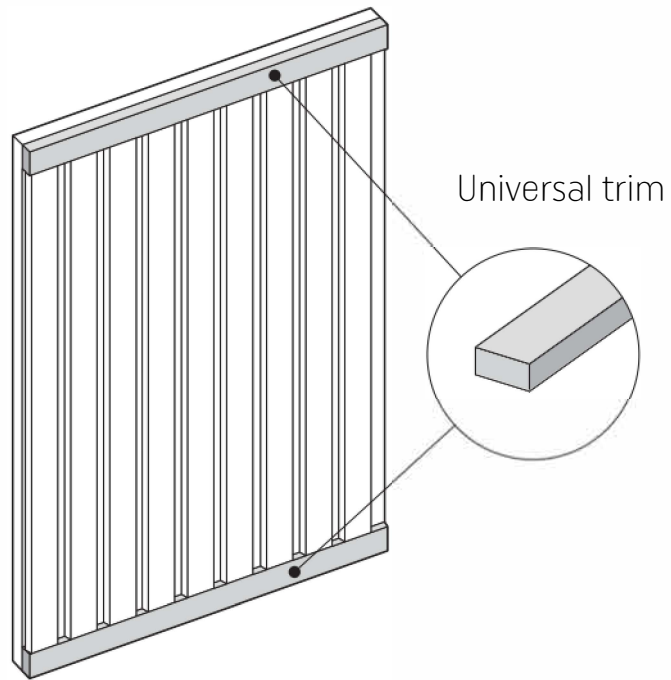


3. Trims application

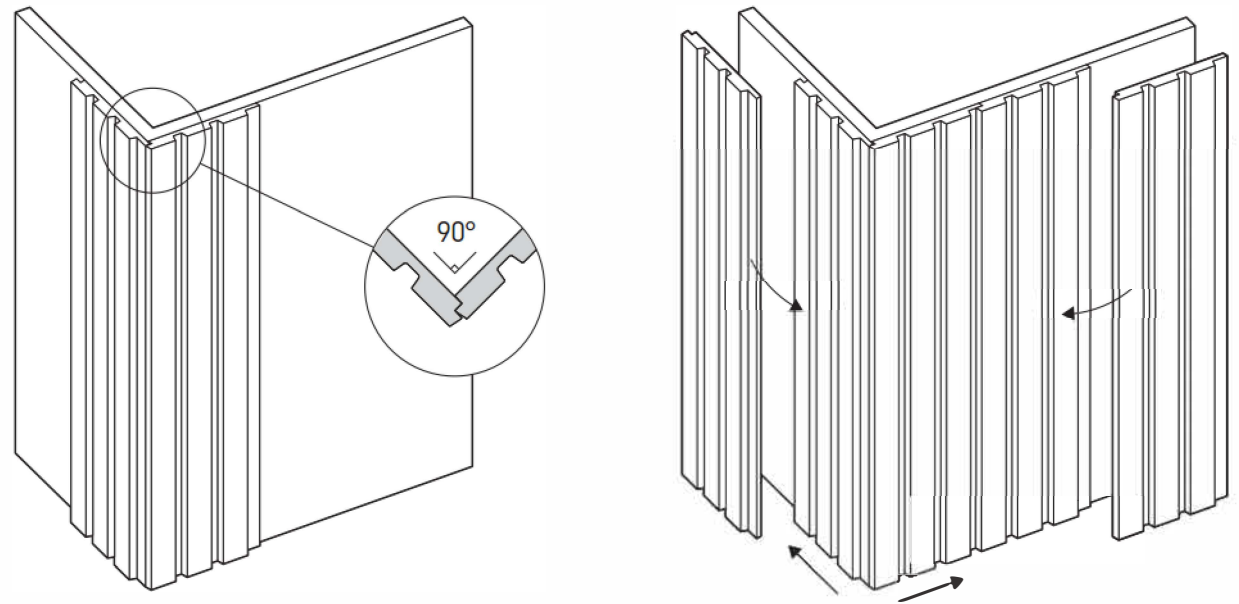


INSTALLATION

4. Use of universal trims.



5. External corner



INSPIRATIONS



INSPIRATIONS



INSPIRATIONS



INSPIRATIONS



INSPIRATIONS

